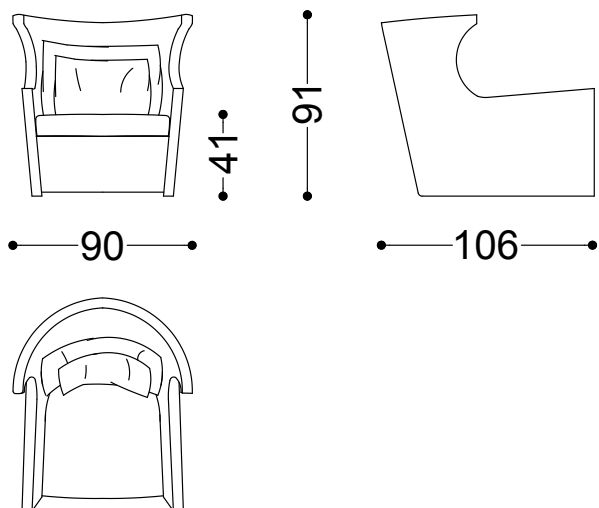




The harmonious lines and playful character of Balla Con Me evoke the spirit of the 1950s, while its contemporary comfort invites you to sit back and be carried away. Every detail tells the story of a style that knows how to surprise, transforming the armchair into a design icon that moves seamlessly between memory and modernity.

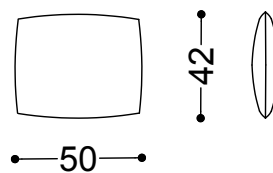
Armchair 35,4"

90x106x91 cm - 35.4x41.7x35.8 in



Loose pillow 19,6"x16,5"

50x42 cm - 19.7x16.5 in



Loose pillow 25,6"x19,6"

65x50 cm - 25.6x19.7 in

