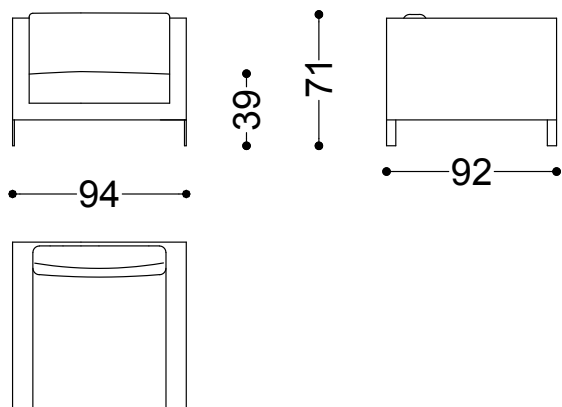




Piano Solo interprets comfort through simple, linear traits that invite you to slow down and rediscover a space all your own.

## Armchair 31,0"

94x92x71 cm - 37x36.2x28 in



## Armchair 29,1"

74x92x71 cm - 29.1x36.2x28 in

